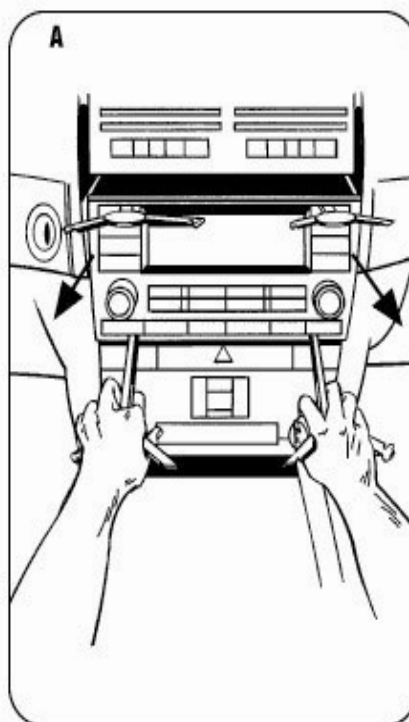


www.1999.gr

VW TOUAREG 2004-2007

- 1 Disconnect the negative battery terminal to prevent an accidental short circuit.
- 2 Insert the long ends of the 86-9001 into the slots on the factory radio and pull out to remove.
Note: Flat edge of key should point outward. (Figure A)

Continue to kit assembly.

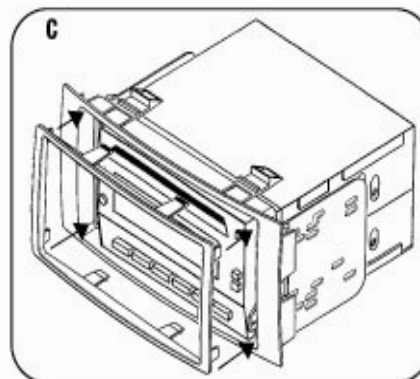
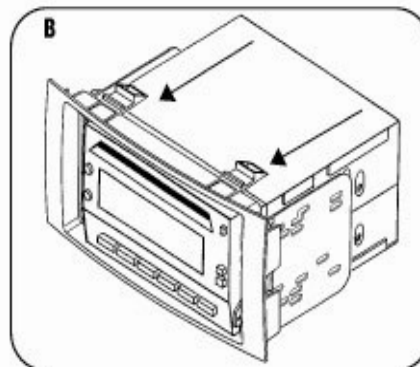
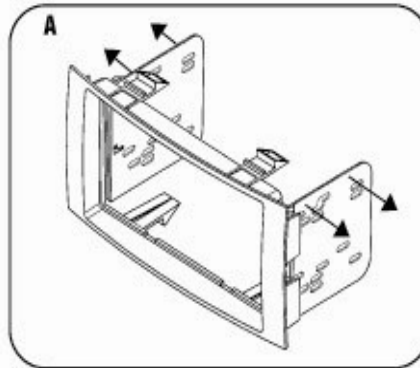


WWW.1999.gr

DOUBLE DIN RADIO PROVISION

- 1 Snap the Double DIN brackets to the inside edge of the radio housing. (Figure A)
- 2 Slide the Double DIN radio into the Double DIN bracket/radio housing assembly and secure the radio to the kit using the screws supplied with the radio. (Figure B)
- 3 Snap the Double DIN trim plate onto the housing/radio assembly. (Figure C)

Continue to final assembly.



www.1999.gr

STACKED ISO UNIT PROVISION

- 1 Snap the Double DIN brackets to the inside edge of the radio housing. (Figure A)
- 2 Slide the stacked ISO DIN units into the Double DIN bracket/radio housing assembly and secure the units to the kit using the screws supplied with the units. (Figure B)

Continue to final assembly.

